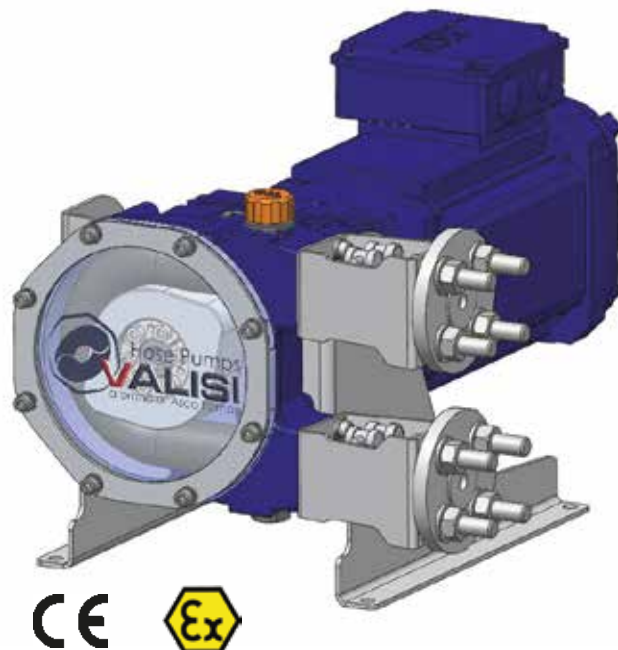


HOSE PUMP Model VPH10 SHOE TECHNOLOGY

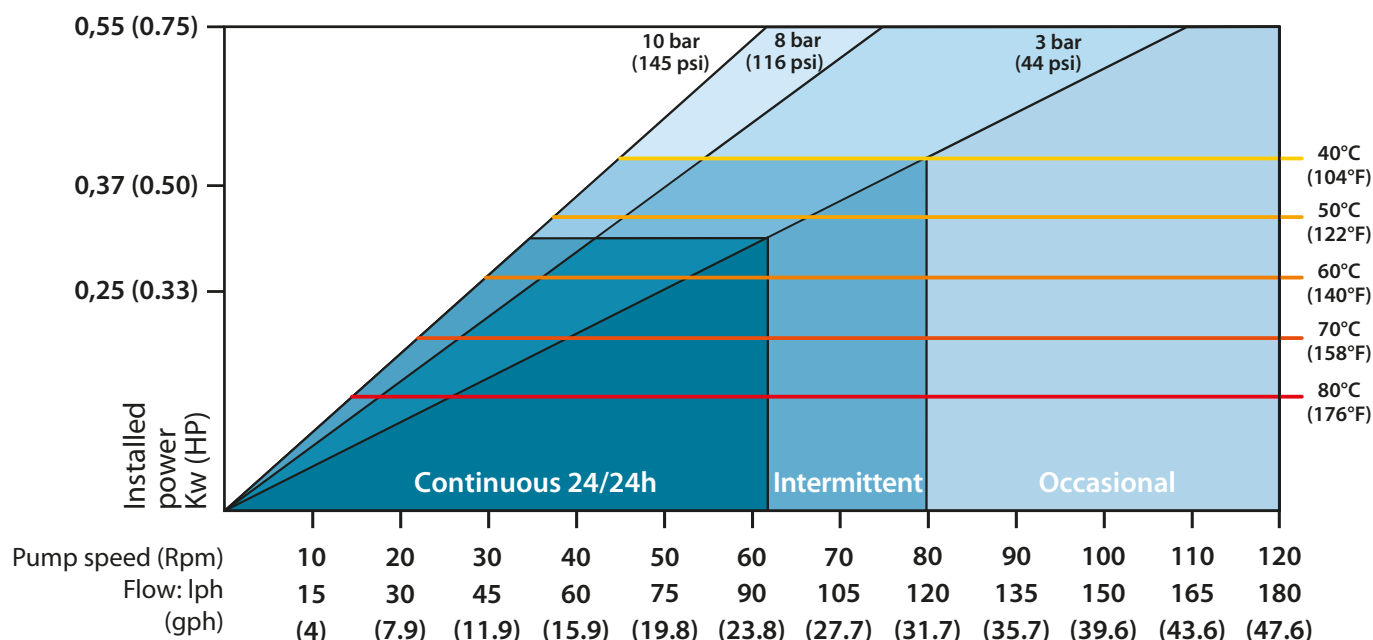


Specifications

Flow per revolution:	0,025 l
Max. discharge pressure:	10 bar
Std. connections:	flanged DN15 (ANSI ½")
Internal hose diam.:	mm.10
Max liquid temp.:	80°C (176°F)
Achievable suction:	up to 0,9 bar
Suitable for:	continuous operation

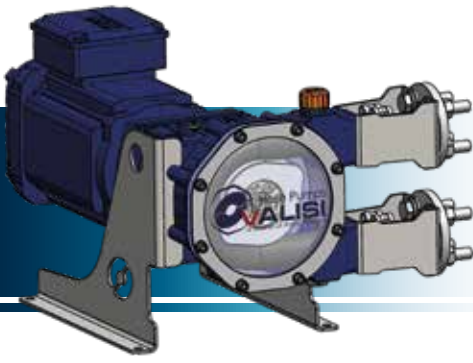


VPH10 Performance










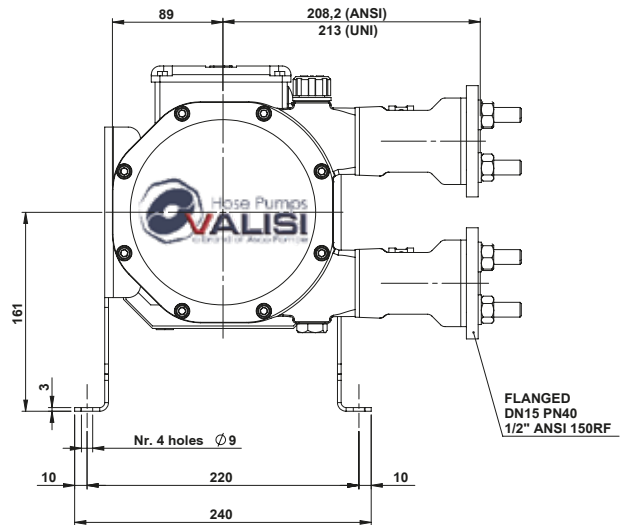
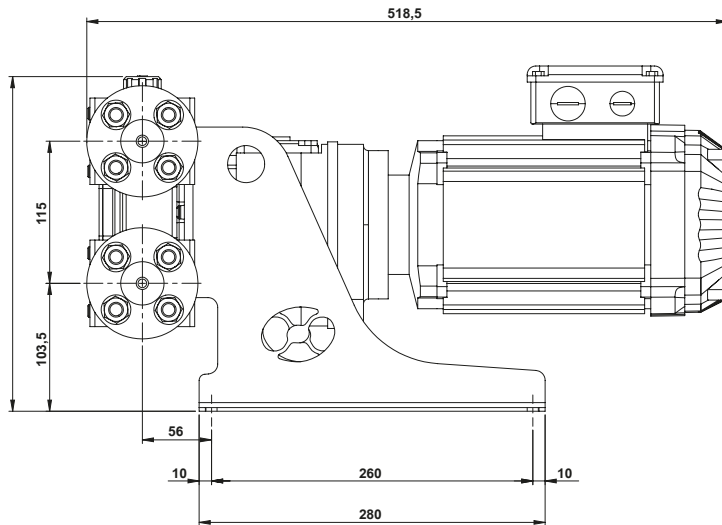
Valisi Hose pumps a brand of Asco Pompe

Via Silvio Pellico, 6/8 - 20089 Rozzano (MI) - ITALY
 Phone: +39 02 89257.1 - Fax: +39 02 89257.201
www.ascopompe.com - www.valisipumps.com
asco@ascopompe.com - info@valisipumps.com
hosepumps@valisipumps.com



Hose construction

-  NR (black hose, white stripe)
-  NBR - Nitrile (black hose, yellow stripe)
-  EPDM (black hose, red stripe)
-  Hypalon - CSM (black hose, blue stripe)
-  FKM - Viton® (black hose, purple stripe)
-  NR FDA - Natural rubber FDA (black hose with internal white layer, double white stripe)
-  NBR FDA - Nitrile FDA (black hose, white/yellow stripe)



Weight

Bare pump:	10 kg
Complete unit:	25 Kg



Valisi Hose pumps a brand of Asco Pompe

Via Silvio Pellico, 6/8 - 20089 Rozzano (MI) - ITALY
 Phone: +39 02 89257.1 - Fax: +39 02 89257.201
 www.ascopompe.com - www.valisipumps.com
 asco@ascopompe.com - info@valisipumps.com
 hosepumps@valisipumps.com