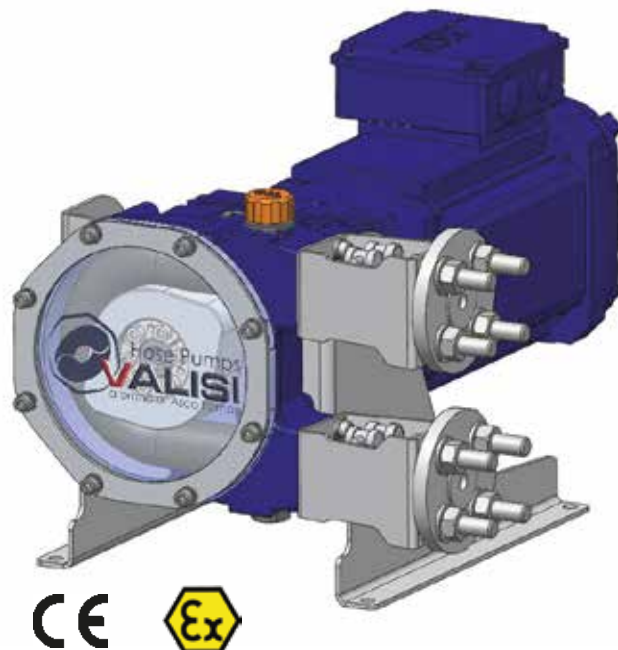


HOSE PUMP Model VPH05 SHOE TECHNOLOGY

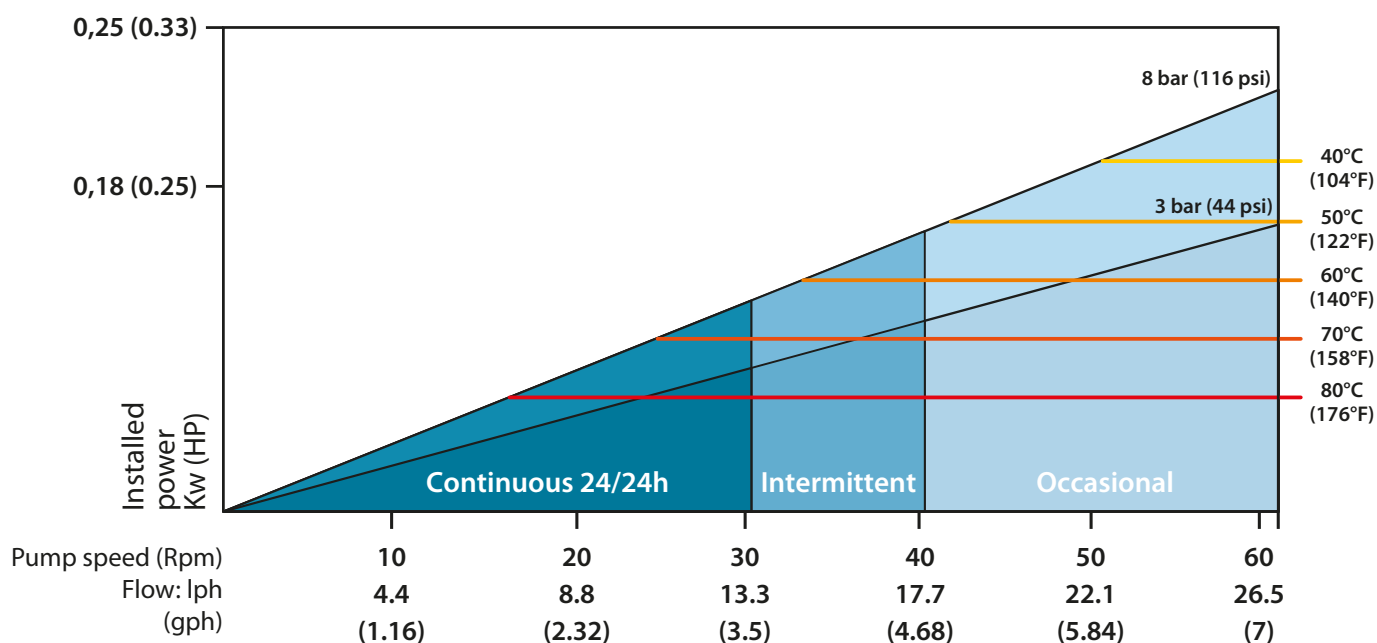


Specifications

Flow per revolution:	0,0074 l
Max. discharge pressure:	8 bar
Std. connections:	flanged DN15 (ANSI 1/2")
Internal hose diam.:	mm. 5
Max liquid temp.:	80°C (176°F)
Achievable suction:	up to 0,9 bar
Suitable for:	continuous operation

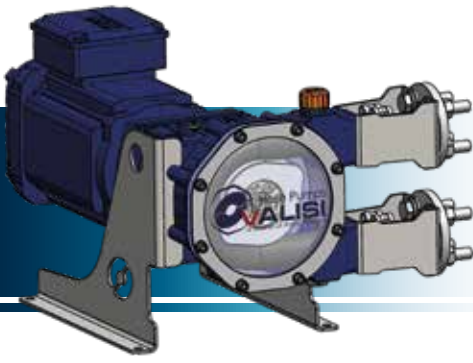


VPH05 Performance







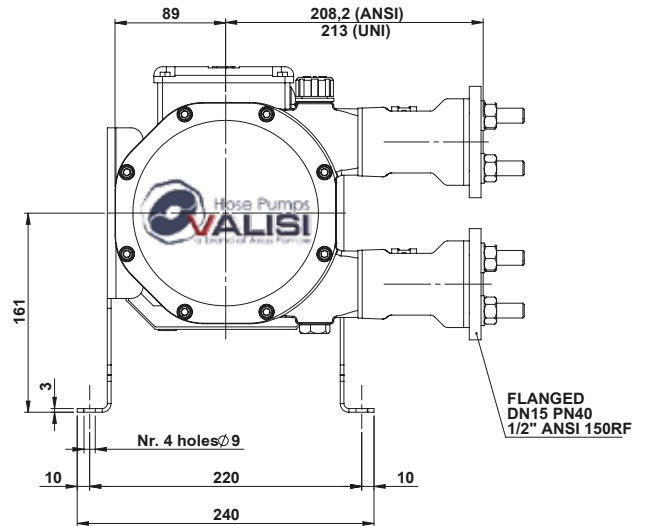
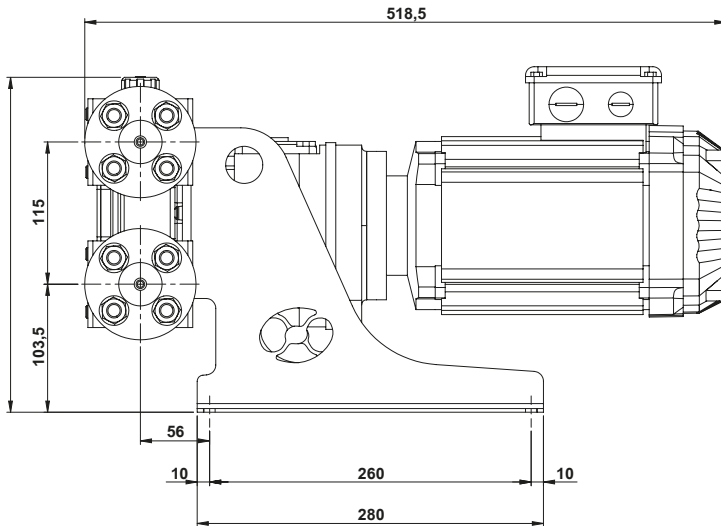
Valisi Hose pumps a brand of Asco Pompe

Via Silvio Pellico, 6/8 - 20089 Rozzano (MI) - ITALY
 Phone: +39 02 89257.1 - Fax: +39 02 89257.201
www.ascopompe.com - www.valisipumps.com
asco@ascopompe.com - info@valisipumps.com
hosepumps@valisipumps.com



Hose construction

-  NR (black hose, white stripe)
-  NBR - Nitrile (black hose, yellow stripe)
-  EPDM (black hose, red stripe)
-  NR FDA - Natural rubber FDA (black hose with internal white layer, double white stripe)



Weight

Bare pump:	11 kg
Complete unit:	25 Kg



Valisi Hose pumps a brand of Asco Pompe

Via Silvio Pellico, 6/8 - 20089 Rozzano (MI) - ITALY
 Phone: +39 02 89257.1 - Fax: +39 02 89257.201
www.ascopompe.com - www.valisipumps.com
asco@ascopompe.com - info@valisipumps.com
hosepumps@valisipumps.com