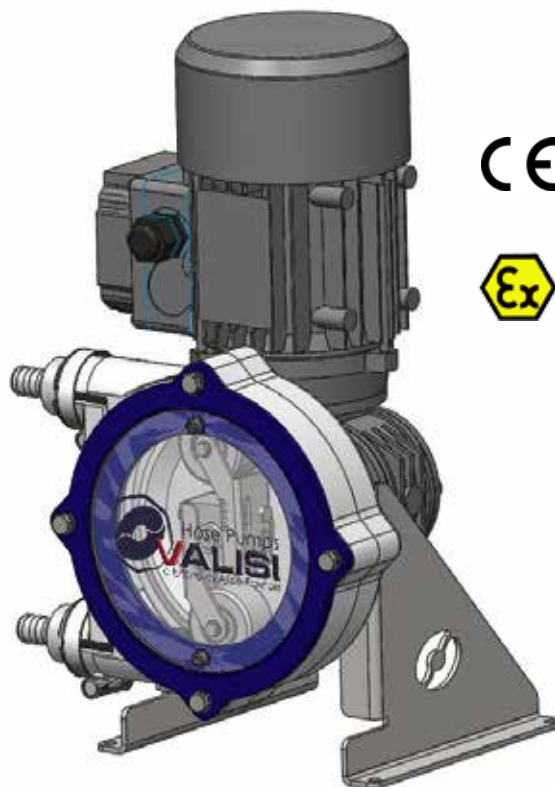


HOSE PUMP Model N3 ROLLER TECHNOLOGY

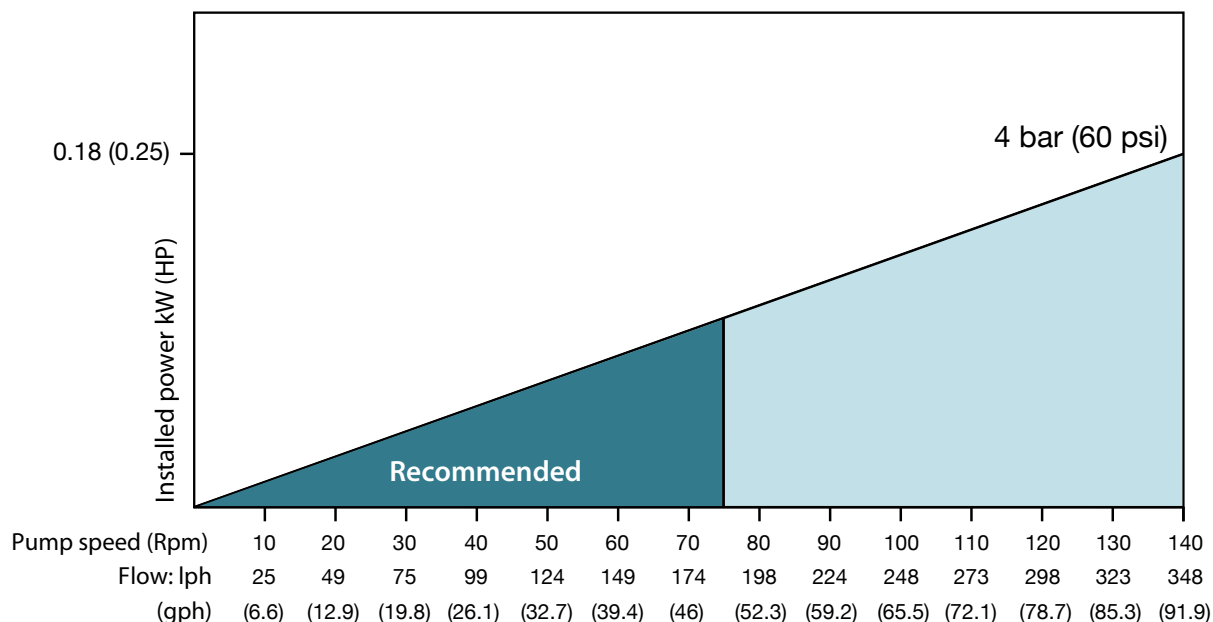


Specifications

Max. Flow Rate:	348 lph (92 gph)
Flow per revolution:	41 ml
Max. discharge pressure:	4 bar
Std. connections:	hose barb mm.19 (¾")
Internal hose diam.:	mm. 13
Max liquid temp.:	90°C (194°F)
Achievable suction:	up to 0,8 bar
Suitable for:	intermittent operation



N3 Performance



Excellence In Fluid Handling





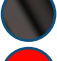

Valisi Hose pumps
a brand of Asco Pompe

Via Silvio Pellico, 6/8 - 20089 Rozzano (MI) - ITALY
Phone: +39 02 89257.1 - Fax: +39 02 89257.201
www.ascopompe.com - www.valisipumps.com
asco@ascopompe.com



Construction






Not reinforced:

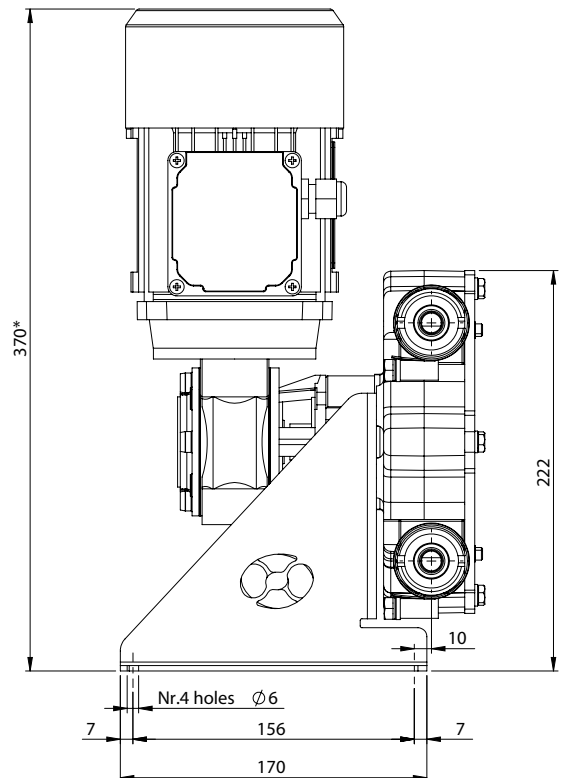
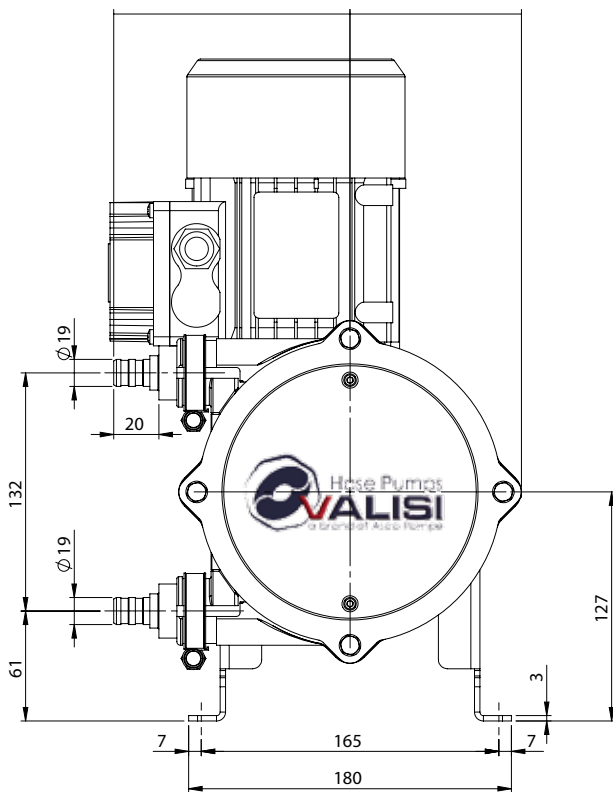
-  Tygon A60F (Varprene/Norprene A55F), FDA approved & NSF51 (cream white)
-  Neoprene (matt black)
-  Hypalon (glossy black)
-  Silicon (Red)

On Request

Tygon XL 60 (transparent), FDA approved
 Pharmed proofed USP class IV, FDA & NSF (cream white)

Fiber braided (reinforced):

-  NR (green stripe)
-  NBR (red stripe)
-  EPDM (white stripe)
-  NR Food grade (white & green stripe and white interior)
-  FKM - Viton® (purple stripe)



* STD. DIMENSION WITH FIXED-SPEED DRIVE

Weight

N3F (fixed speed): 9 kg
 N3VM (mechanical variator): 13 Kg