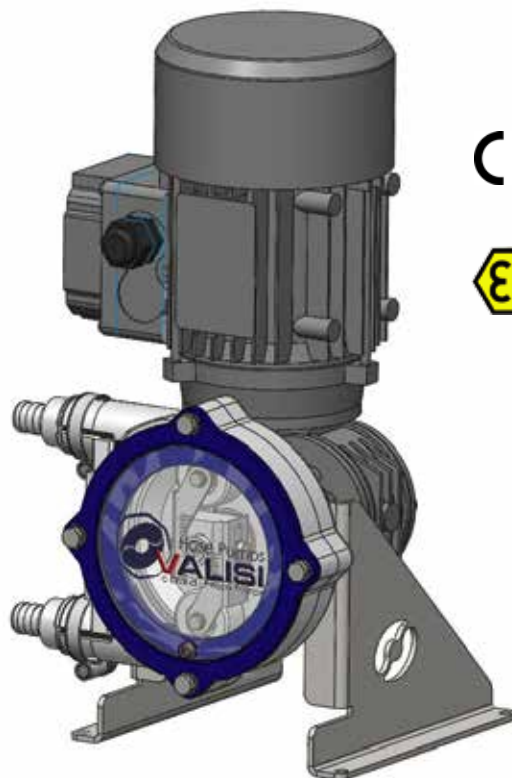


# HOSE PUMP Model N2 ROLLER TECHNOLOGY

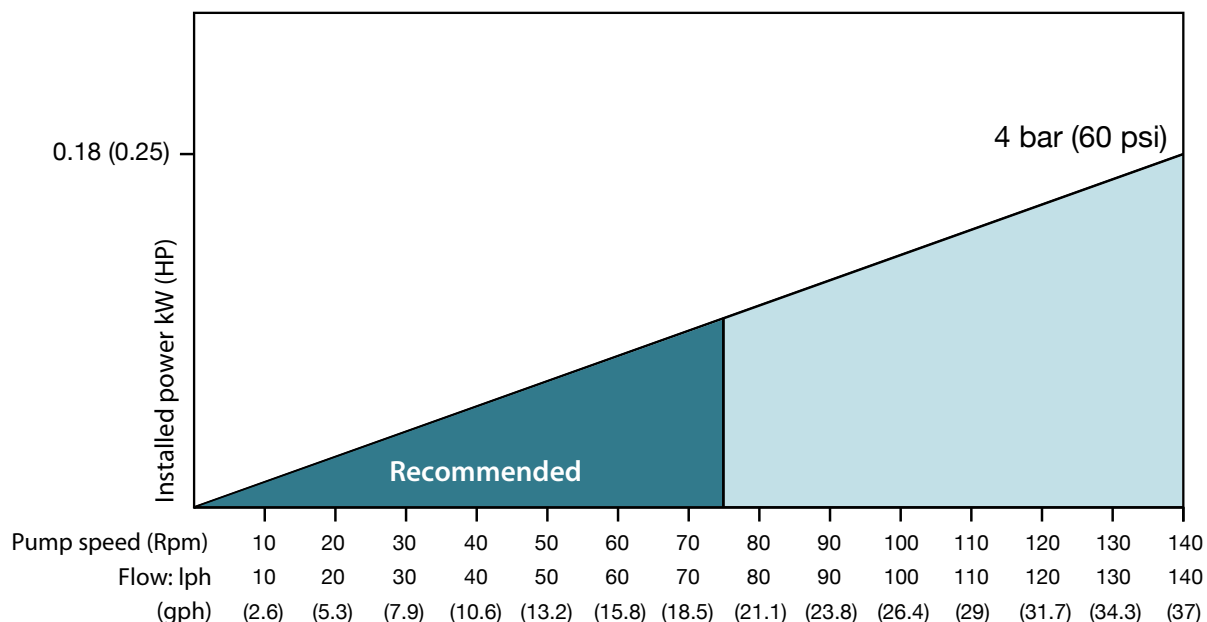


## Specifications

Max. Flow Rate:	140 lph (37 gph)
Flow per revolution:	17 ml
Max. discharge pressure:	4 bar
Std. connections:	hose barb mm.16 (5/8")
Internal hose diam.:	mm. 9
Max liquid temp.:	90°C (194°F)
Achievable suction:	up to 0,8 bar
Suitable for:	intermittent operation



## N2 Performance

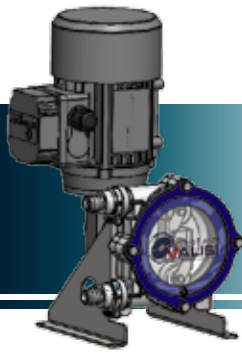


Excellence In Fluid Handling





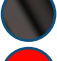

**Valisi Hose pumps**  
a brand of Asco Pompe

Via Silvio Pellico, 6/8 - 20089 Rozzano (MI) - ITALY  
Phone: +39 02 89257.1 - Fax: +39 02 89257.201  
www.ascopompe.com - www.valisipumps.com  
asco@ascopompe.com






## Construction

### Not reinforced:

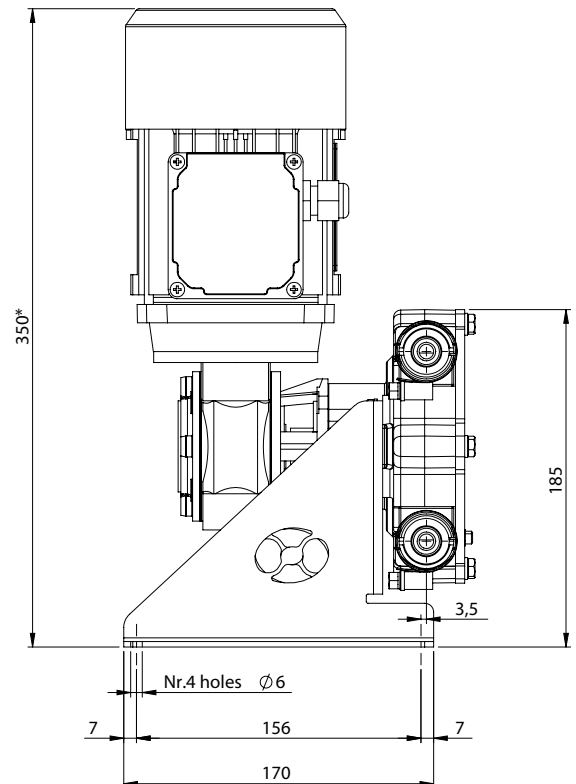
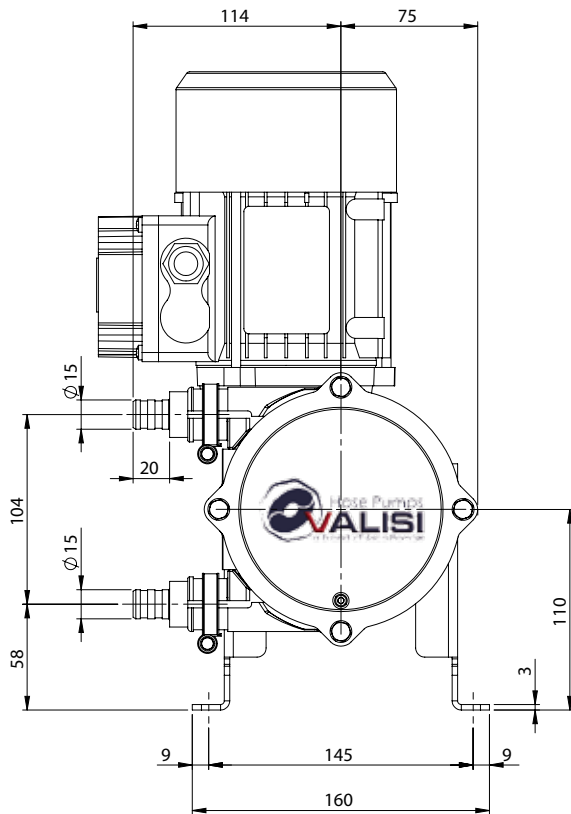
-  Tygon A60F (Varprenne/Norprene A55F), FDA approved & NSF51 (cream white)
-  Neoprene (matt black)
-  Hypalon (glossy black)
-  Silicon (Red)

### Fiber braided (reinforced):

-  NR (green stripe)
-  NBR (red stripe)
-  EPDM (white stripe)

### On Request

Tygon XL 60 (transparent), FDA approved  
Pharmed proofed USP class IV, FDA & NSF (cream white)



\* STD. DIMENSION WITH FIXED-SPEED DRIVE

## Weight

N2F (fixed speed): 8 kg  
N2VM (mechanical variator): 12 Kg