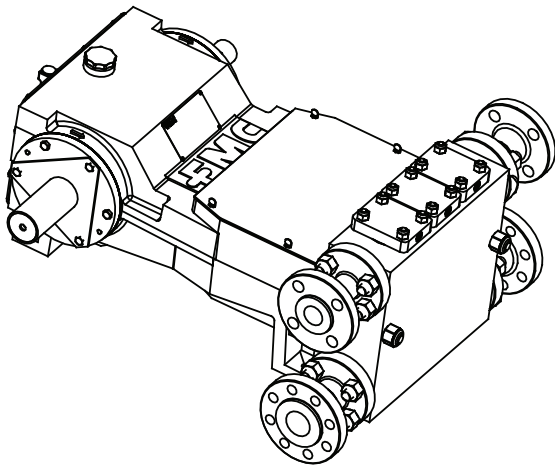


FMC Technologies

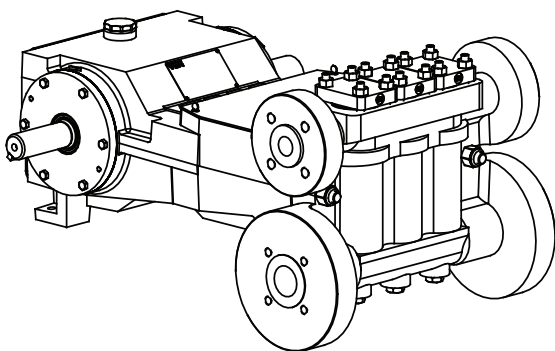
M08 Plunger Pump Data

34 BHP Continuous Duty (45 BHP Intermittent Duty)

Forged ISO Drawing



Cast ISO Drawing



Specifications

Pump Model	M08
Design Standard	API-674, Second Edition
Configuration	Horizontal Triplex Plunger
Number of Plungers	3
Stroke Length	2.0 Inches
Frame Load Rating	4,450 lbs
Forged Fluid Cylinder Pressure Rating	10,000 psi
Cast Fluid Cylinder Pressure Rating	3,000 psi
Pump Weight (Average)	550 lbs
Intermittent Duty Speed Rating	600 RPM
Continuous Duty Speed Rating	450 RPM
API-674 Max Recommended Speed	450 RPM
Minimum Speed *	100 RPM
Mechanical Efficiency	90%
Lubrication System (Standard)	Splash, Gravity Return
Lubrication System (Optional)	Pressurized, Motor Driven
Lube Oil Capacity	1.5 Gallons
Lube Oil Type	SAE 30
Maximum Fluid Temperature	200 °F (400 °F Capability)
Minimum Fluid Temperature	-20 °F (-50 °F Capability)
Valve Types	Disc Valves, Abrasion Resistant Valves

* Slower RPM can be achieved with the addition of a pressurized lubrication system

Forged Fluid End Material	Cast Fluid End Material
A105 Carbon Steel	Ductile Iron
A350-LF2 Carbon Steel	Nickel Aluminum Bronze
316L Stainless Steel	316L Stainless Steel
2205 Duplex Stainless Steel	2205 Duplex Stainless Steel

* Special Materials available on request

Standard Connection Sizes	Suction	Discharge
M0806-M0808	1.5	0.75
M0809-M0820	2.0	1.5
M0815-M0820	2.5	1.5

* NPT Connections Available

* Consult us for specific exceptions to API-674 and NACE standards.

* Consult us for any application where inlet pressures will exceed 10% of rated discharge pressures.

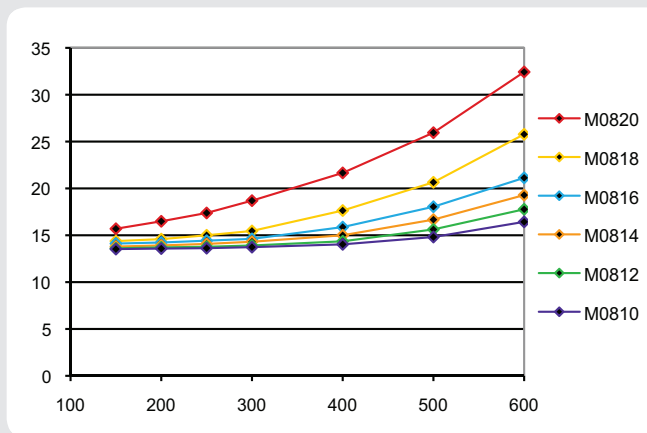
* Horsepower based on 90% mechanical efficiency. Actual application horsepower requirements can be calculated using the equation: $BHP = (GPM * PSI) / (1714 * 0.90)$

* Direction of rotation is the top of the crankshaft towards the fluid head.

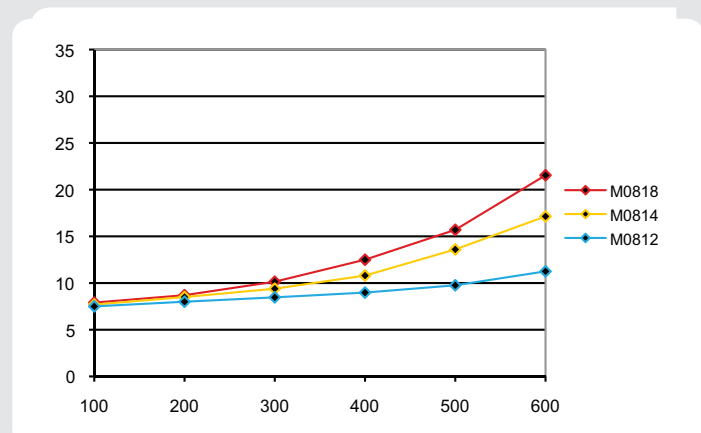
M08 Performance Table

Pump Model	Plunger Diameter (in)	Displacement (GAL/REV)	Maximum Pressure (PSI)	Pump Capacity (GPM) @ Input Speed (RPM)						
				100 RPM	200 RPM	300RPM	400RPM	450RPM	500RPM	600RPM
M0806	0.750	0.0115	10,000	1.2	2.3	3.5	4.6	5.2	5.8	6.9
M0807	0.875	0.0156	7,400	1.6	3.1	4.7	6.2	7.0	7.8	9.4
M0808	1.000	0.0204	5,650	2.0	4.1	6.1	8.2	9.2	10.2	12.2
M0810	1.250	0.0319	3,620	3.2	6.4	9.6	12.8	14.4	16.0	19.1
M0812	1.500	0.0459	2,520	4.6	9.2	13.8	18.4	20.7	23.0	27.5
M0814	1.750	0.0625	1,850	6.3	12.5	18.8	25.0	28.1	31.3	37.5
M0816	2.000	0.0816	1,420	8.2	16.3	24.5	32.6	36.7	40.8	49.0
M0818	2.250	0.1033	1,120	10.3	20.7	31	41.3	46.5	51.7	62.0
M0820	2.500	0.1275	915	12.8	25.5	38.3	51.0	57.4	63.8	76.5

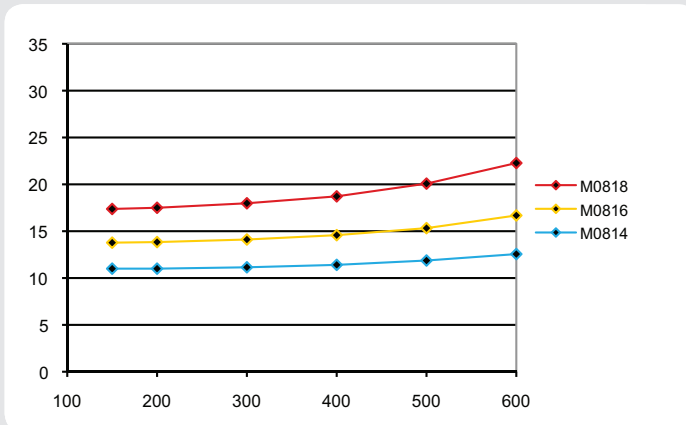
M08 NPSHr values for Disc Valves with 2-springs



M08 NPSHr values for AR Valves with 1-spring



M08 NPSHr values for Disc Valves with 1-spring



M0810 - M0820

Stiff Disc Valve Springs = 5263970 and 5263971

M0810 - M0820

Standard Disc Valve Spring = 5263970

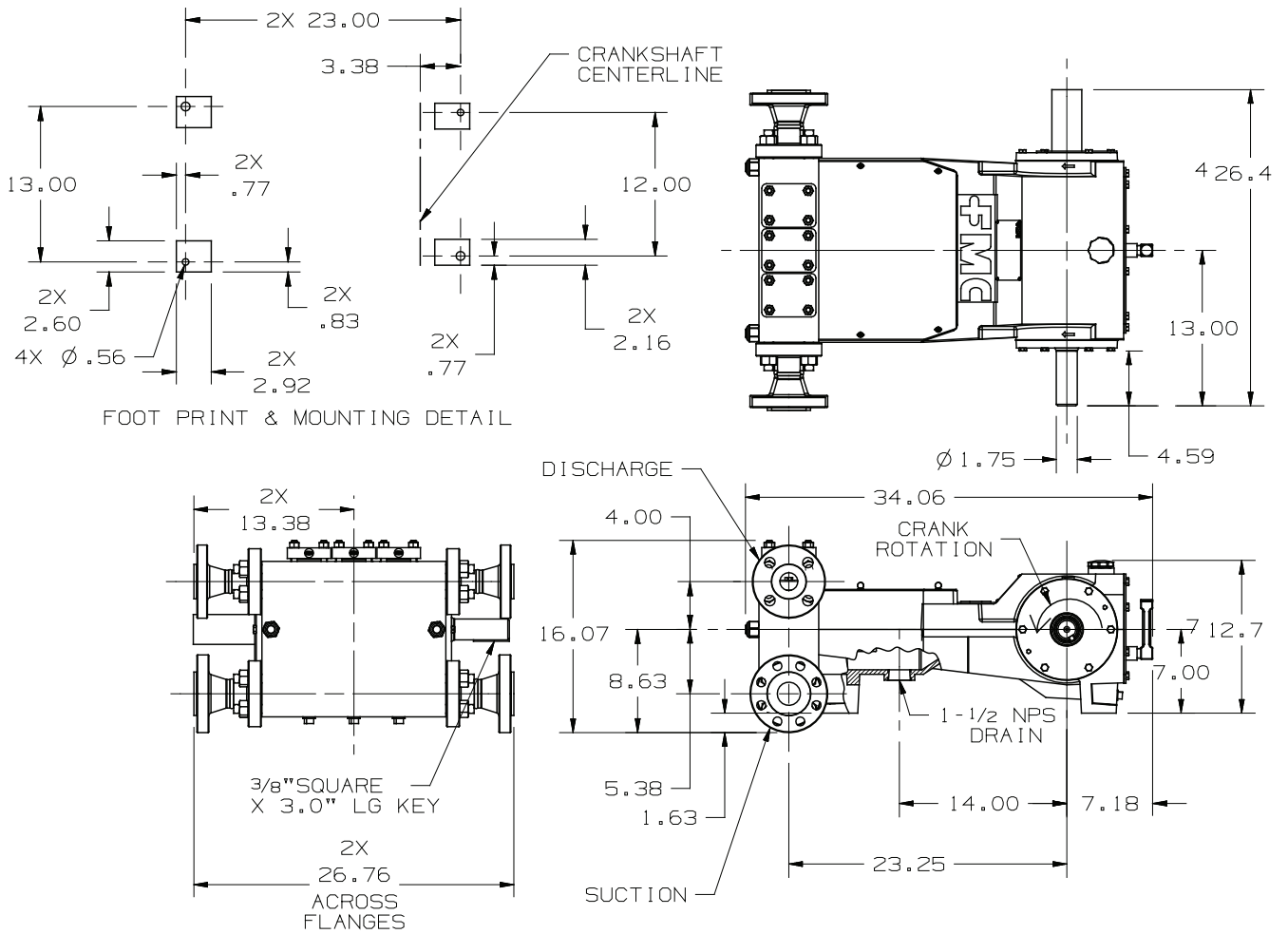
* Pump capacities shown are based on 100% volumetric efficiency.
 * FMC recommends NSPha (available) exceeds NPSHr (required) by 5 feet of water.
 * Take special consideration when calculating NSPha. Recalculate NSPha after pump model has been selected for more accurate values.
 * NPSHr values are in feet of water. If you are pumping a different liquid than water, convert the required NSPha from water to the liquid being pumped by dividing the published NPSHr value by the specific gravity of the liquid being pumped.
 FMC published NPSHr values are based on test data collected on specific pumps at the factory and are estimated values. Actual NPSHr values for an ordered pump can only be determined by a factor test. For NPSH critical applications, contact the factory for additional information and request a NPSHr test performed on your pump before shipment.



M08 Plunger Pump Data

34 BHP Continuous Duty (45 BHP Intermittent Duty)

Forged Pump Engineering Dimensional Outline

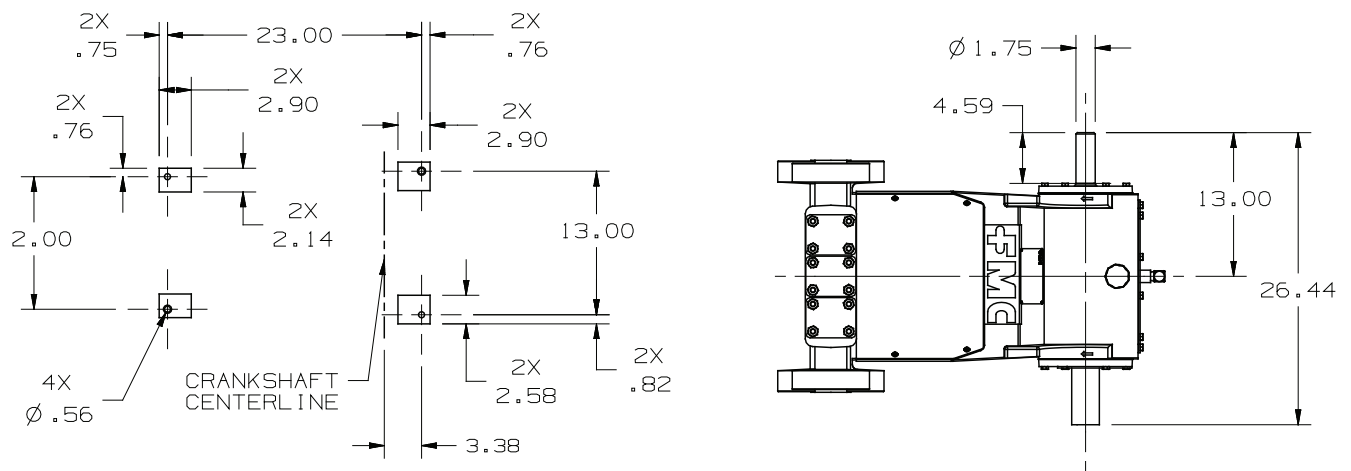




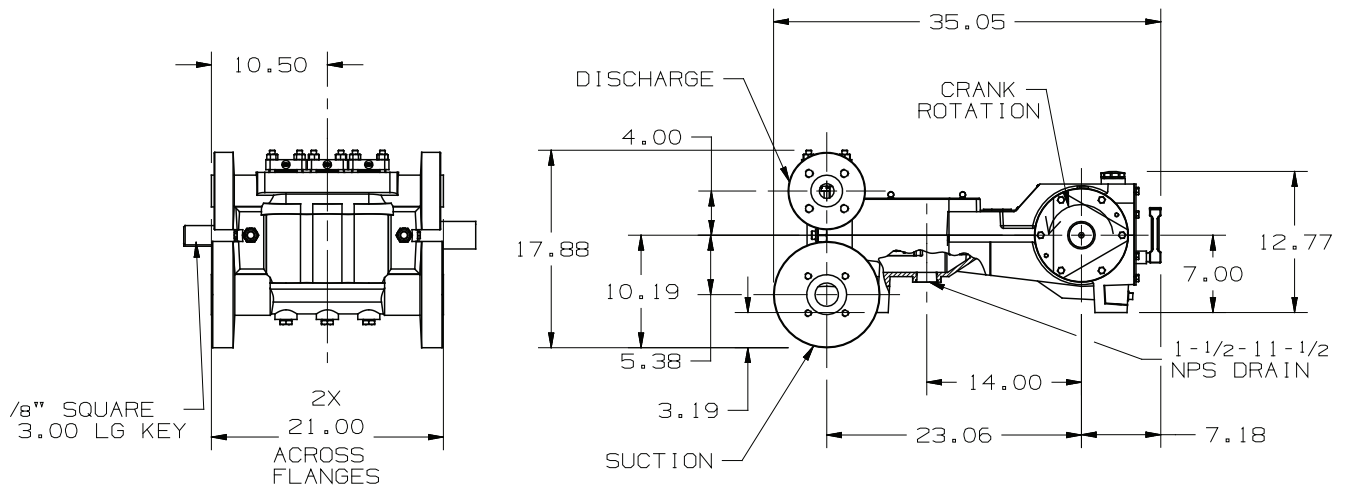
M08 Plunger Pump Data

34 BHP Continuous Duty (45 BHP Intermittent Duty)

Cast Pump Engineering Dimensional Outline



FOOT PRINT AND MOUNTING DETAIL



- Dimensions shown are for general sizing purposes and should not be used of construction. Contact FMC for actual dimensions of pump ordered.
- FMC reserves the right to modify this information without prior notice.
- Pump drawing dimensions in inches.